

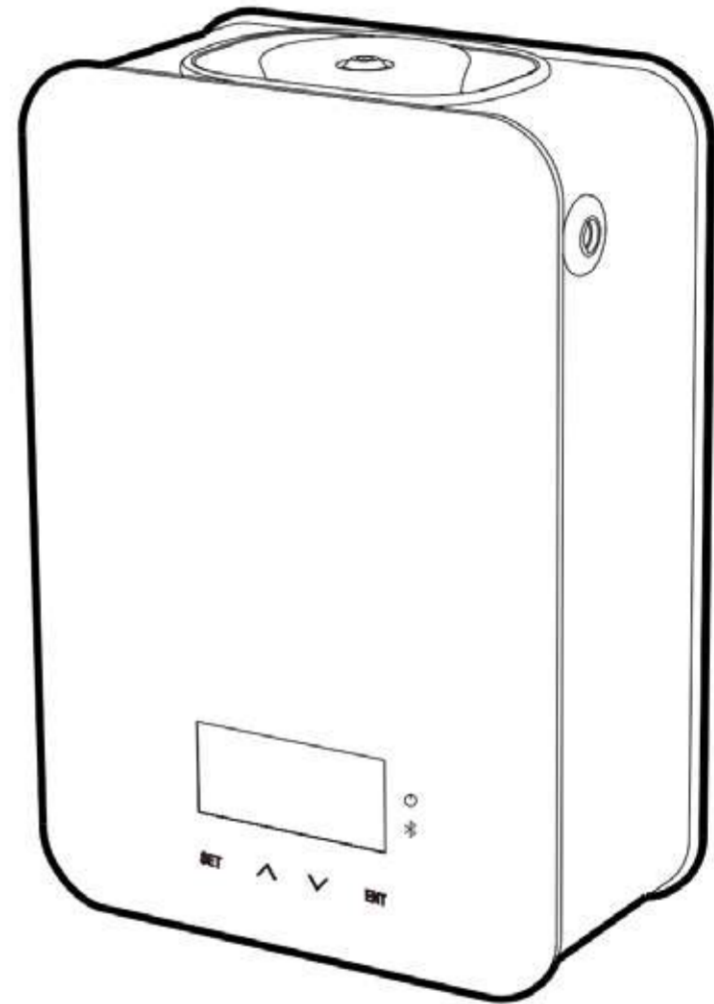
Roma
trick

A-Trick 100 *Advance*
User Guide



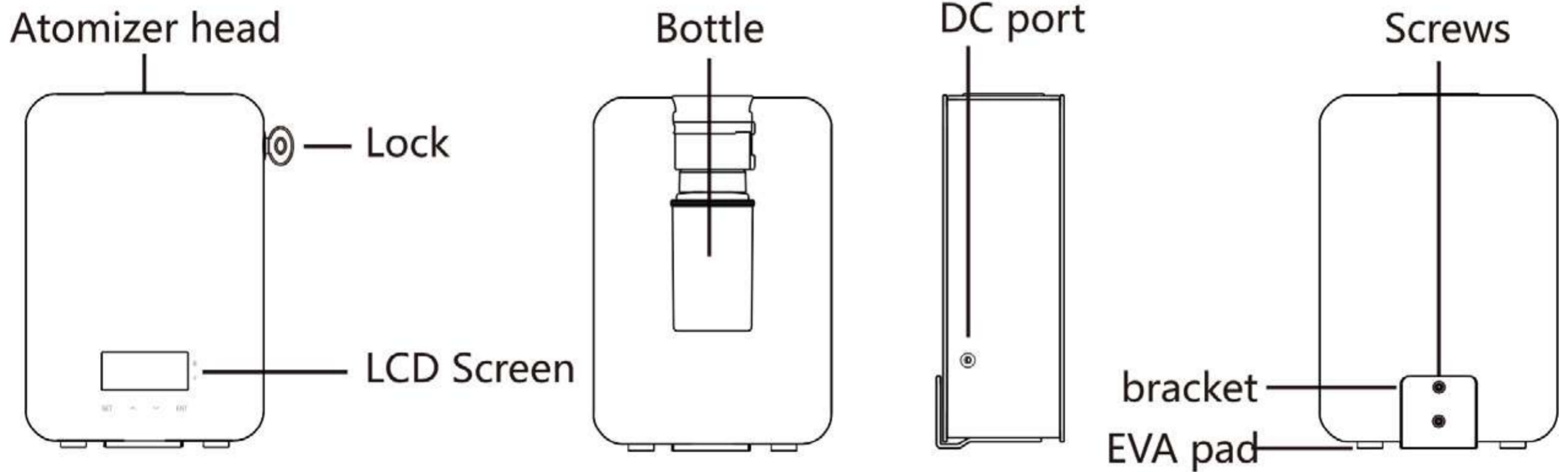
Product Specifications

| | |
|-----------------|--|
| Model | A-Trick 100 Advance |
| Dimension | 260*175*89 mm |
| Machine N.W. | 1.86 Kg |
| Voltage | DC 12V - 0.3 A |
| Power | 5 W |
| Bottle Capacity | 180 ml |
| Coverage | up to 100 m ² /1000 ft ² |



Essentials part of your product

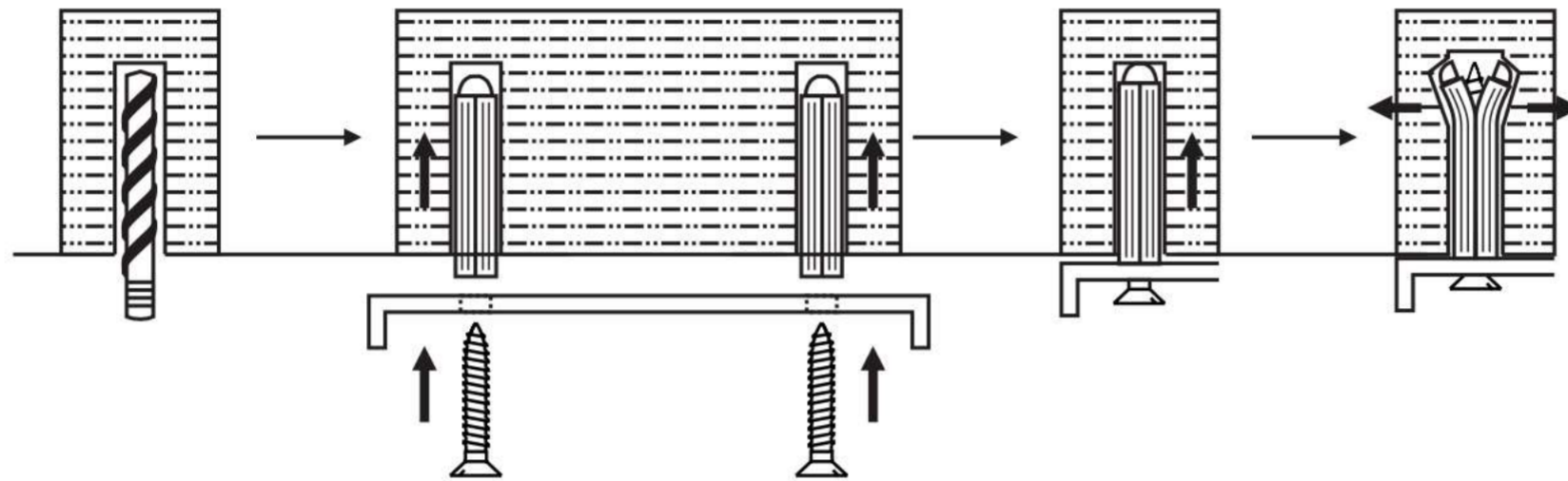
Make sure nothing is missing from the items below:



Installation

The method of using expansion bolts

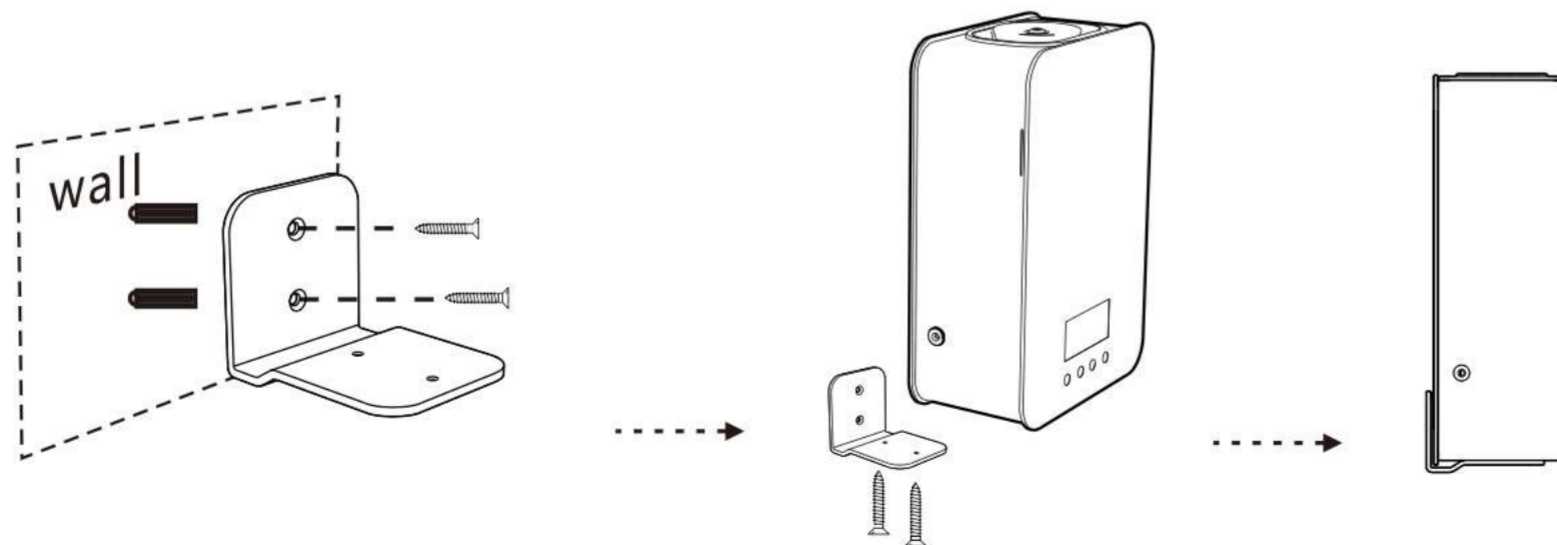
Drill the wall, insert the expansion tube into the hole, put the screw into the expansion tube and tighten it.



Installation steps:

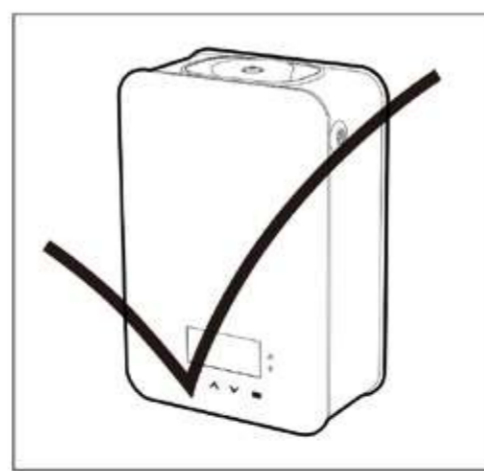
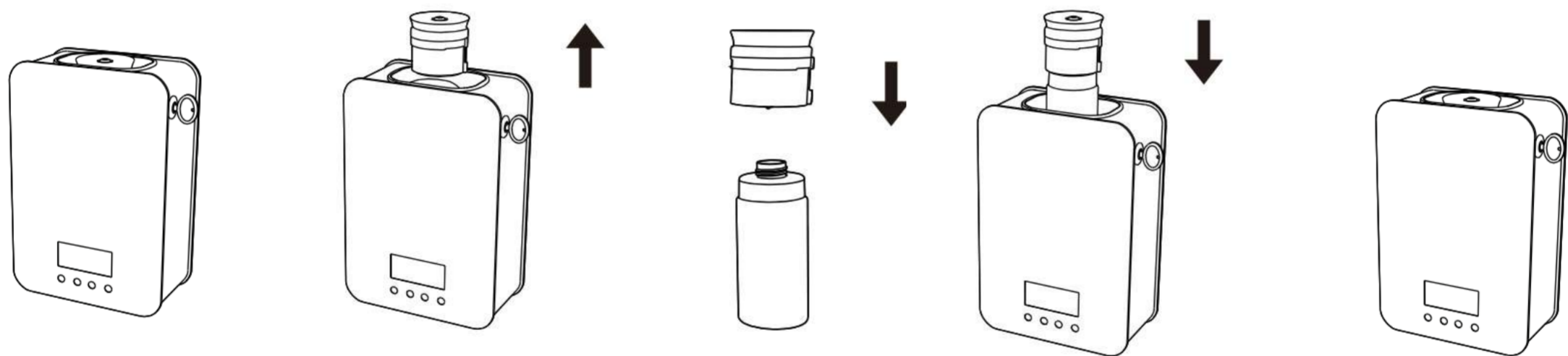
1) Position the bracket holes, then drill holes on the wall, then insert the wall anchors into the wall holes.

2) Secure the bracket with screws on the wall, and align with the holes of the machine on the bottom, then secure the machine with screws from the bottom.



Instruction

- 1) Open the machine with key, and don't remove the key.
- 2) Pull out the atomizer head.
- 3) Take out the bottle, and fill with essential oil, then tightly close the head.
- 4) Place the bottle back into the machine, after aligning with the position, press downward the atomized head.
- 5) Adjust the working periods, then lock the machine with the key.

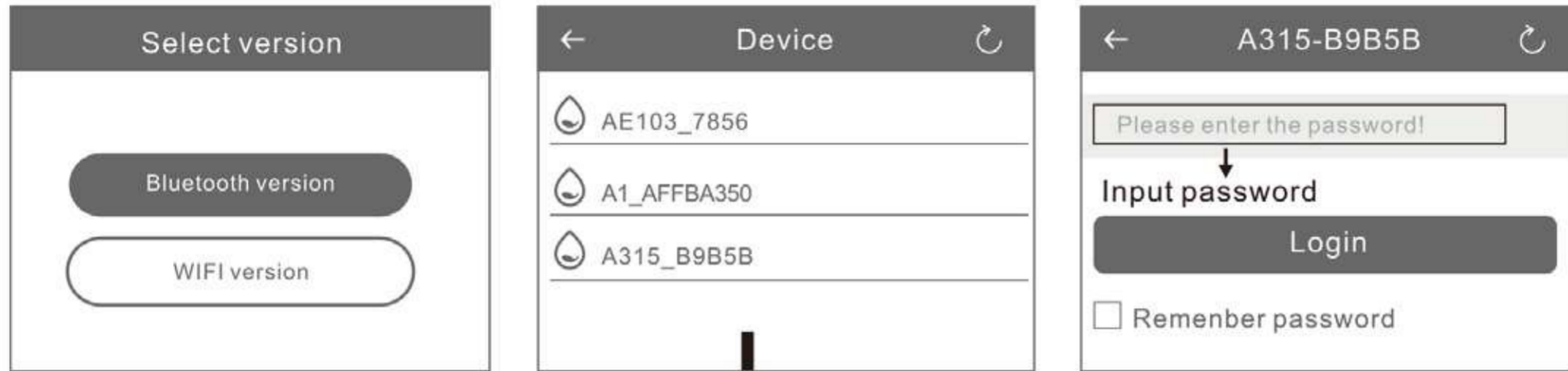


do not tilt/turn/move
when bottle is in device

Let's get you started
by downloading the app



1. Please make sure that the Bluetooth function is turned on.
2. Please make sure that the location function of the mobile phone is turned on.



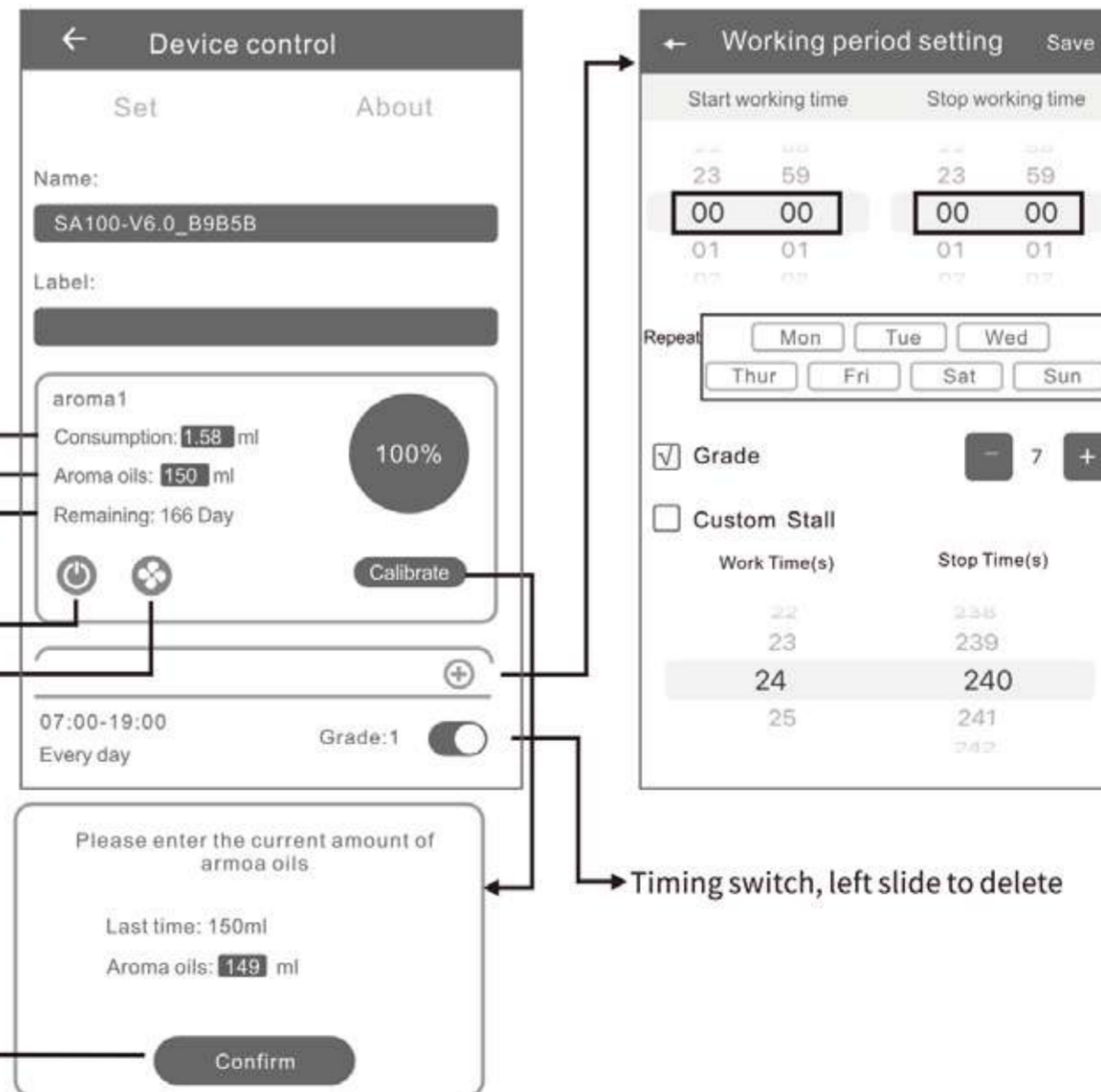
Consumption: This value is calculate based on one hour of continuous machine work with 13 mPa.s aroma oil of our company. But aroma oils with different viscosities have varied consumption rates, you can calibrate it via app.

Aroma oil: The amount of aroma oil added to bottle.

Remaining: This refers to how long the aroma oil can be used based on consumption, aroma oil, grade, and working periods.

Turn ON/OFF the device
Turn ON/OFF the fan

Calibrate: It is used for calibrating consumption. It is advised to calibrate after working for at least 10 days. Please measure the remaining oil of bottle first, then tap "calibrate" in the APP, input the amount of remaining oil, and confirm. So the consumption, remaining day, and percentage will be updated.



Timing switch, left slide to delete

← Device control

Set About

PCB Version: AAAA

Equipment version: AAAA

APP version: AAAA

Change password

↓

← Change password

The new password

Confirm password

Change password

← Working period setting Save

Start working time Stop working time

04

05 00

06 : 00 00 : 01 → Slide up and down to adjust

07 01 01 02

08 02 02 03

Repeat: Mon Tue Wed Thur Fri Sat Sun → Select the day

Concentration grade ^ 6 v → Select grade

If you forget the password, please press the reset button to restore the factory settings. The factory settings password is 8888.

Boost your experience with our set-up tips

- The increase in the grade is likely to result in higher consumption.
- Our recommendation is to start by grade 8 then increase or decrease based on your preference.
- Less hours of operation results in extending the life of the bottle.
- We recommend to operate the aroma device for half an hour before the activity/the event begins

Caution



Shall not modify, disassemble or repair the machine arbitrarily. vv



Shall not damage the power cord, force to bend, yank, heavy load, clip or reprocess.



- o Shall not use the AC plug when it is damaged or un-matched with the socket.
- o Shall not wet the machine or the AC plug.
- o Shall not use overloaded power socket, wire or broken plug.



Shall not touch the wire or product shell when thundering or/and lightening.



Shall not disassemble the machine when it is under operation.

For any inquiry, please contact our live installation assistant



Warning:

- After installation, please keep the machine vertical, tilting the machine flat will cause oil leakage and damage to the machine.
- Do not refit, disassemble or repair the machine if you are not a technician. If the machine breaks down, please contact our customer care for help customercare@aromatrick.co.uk
- It is invalid to touch/tap the digital timer button when machine is under lock status.
- Each time cycle should be between (00:01 until 23:59), if you need your device to operate throughout the night time, make sure you divide the operation time to **two cycles.**

TROUBLESHOOTING

Before asking to have the machine repaired, please try to diagnose the problem first following the instructions below:

| Symptom | Remedy |
|------------------|--|
| Does not diffuse | <ul style="list-style-type: none"> • Check the power is on or off • if the machine is in “not working period”, it stops diffuse. • the pump is damages, change a new one. |
| Spray little | <ul style="list-style-type: none"> • Atomized nozzle may be blocked, diffuse with alcohol to do cleaning. • pump is aging, change a new one. |
| Spray liquid | <ul style="list-style-type: none"> • Atomized nozzle is damaged, change a new one. • machine is tilted or lay flat, please make it stand on end. |
| Oil spill | <ul style="list-style-type: none"> • bottle is loose, screw it to the right place. |
| Abnormal sound | <ul style="list-style-type: none"> • Pump is loose, install it correctly. |

- If the machine programs crashes or other abnormal condition occurs, please restart the machine to restore factory setting (method: press ENT key about 5 minutes until you hear “beep” sound)

CLEANING DIFFUSER

Diffuser should be cleaned regularly, timing recommendation below:

1. Refilling/ changing fragrance in reservoir.
2. Scenting strength becomes weak.

- Turn off Scenting Diffuser before cleaning.
- Place clean bottle with small quantity of “Methylated Spirits”/ Industrial alcohol.
- Turn on Machine and let diffuse for 5 minutes.
- Turn off power and unscrew cleaning fluid bottle.
- Replace with fresh fragrance, machine is now ready for diffusing.

Roma
trick