

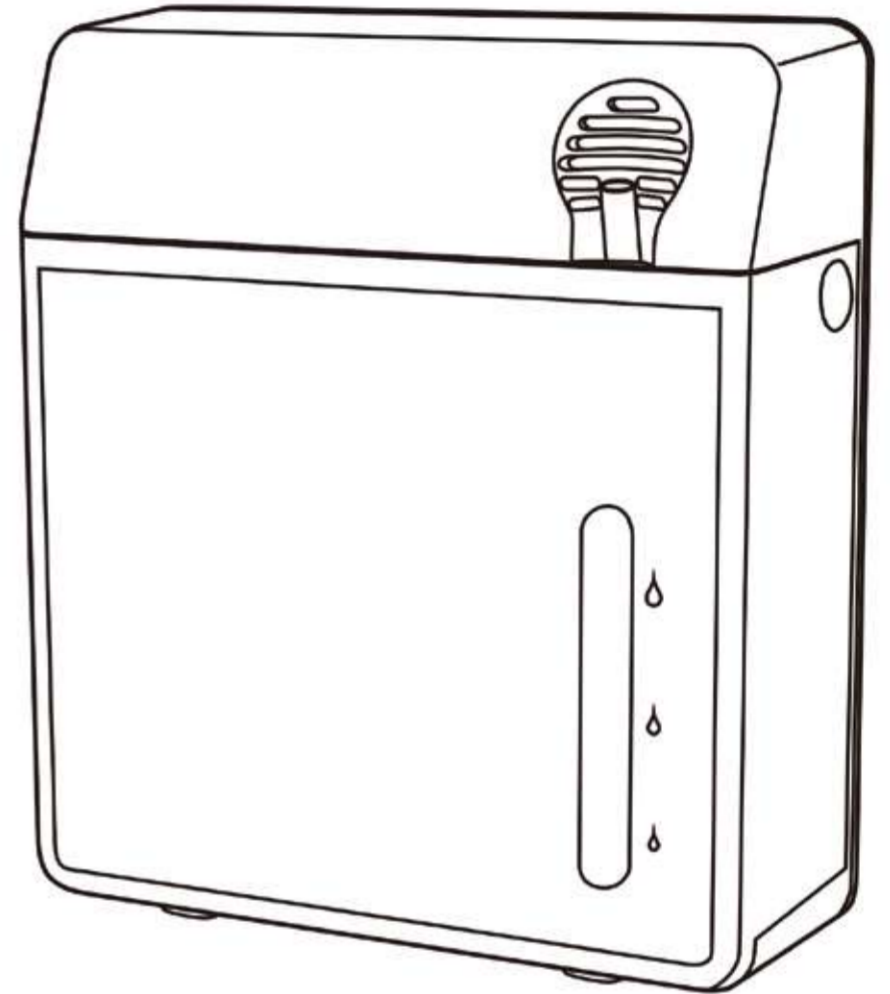
Roma trick

A-Trick 100 *Classic* User Guide



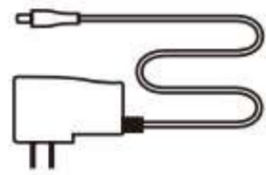
Product Specifications

Model	A-Trick 100 Classic
Dimension	190*223*77 mm
Machine N.W.	1.6 Kg
Voltage	DC 12V - 0.3 A
Power	6 W
Bottle Capacity	200 ml
Coverage	up to 100 m ² /1000 ft ²



Essentials part of your product

Make sure nothing is missing from the items below:



Plug



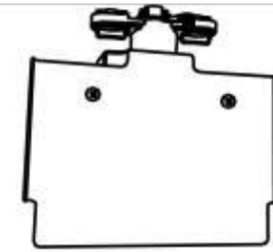
Key



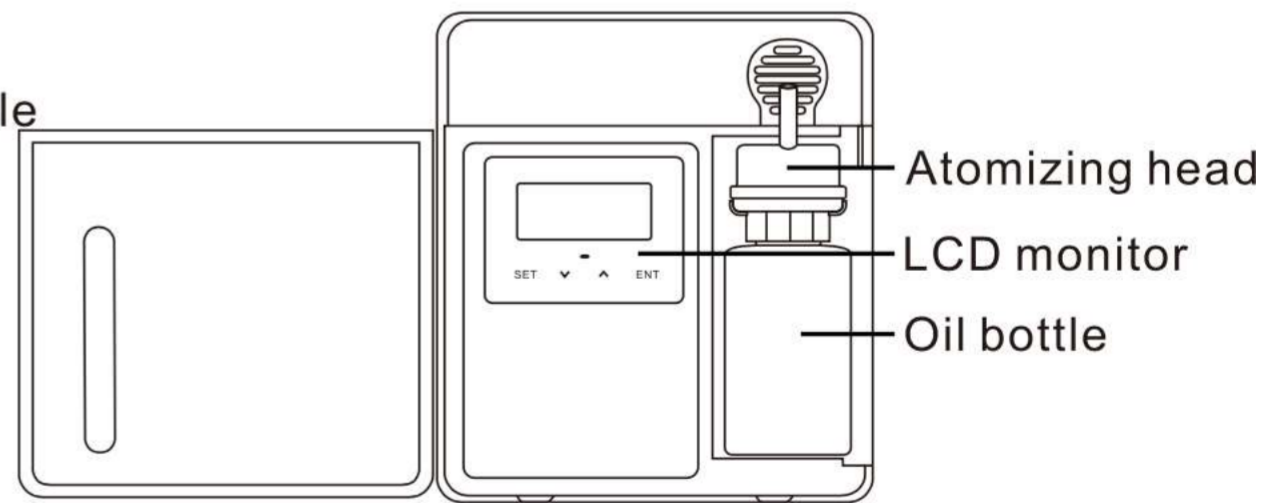
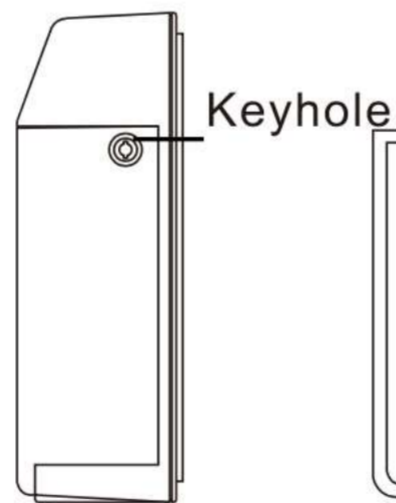
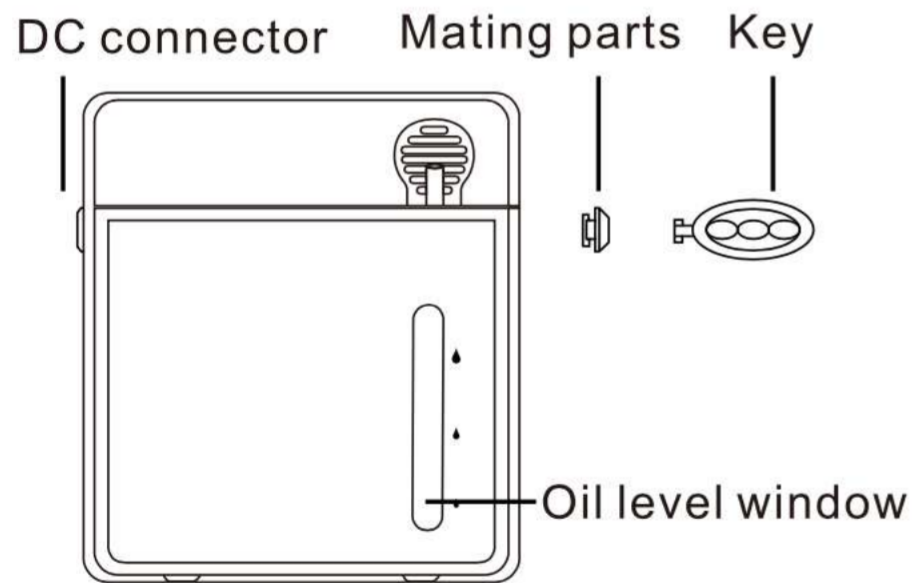
Screws



Manual



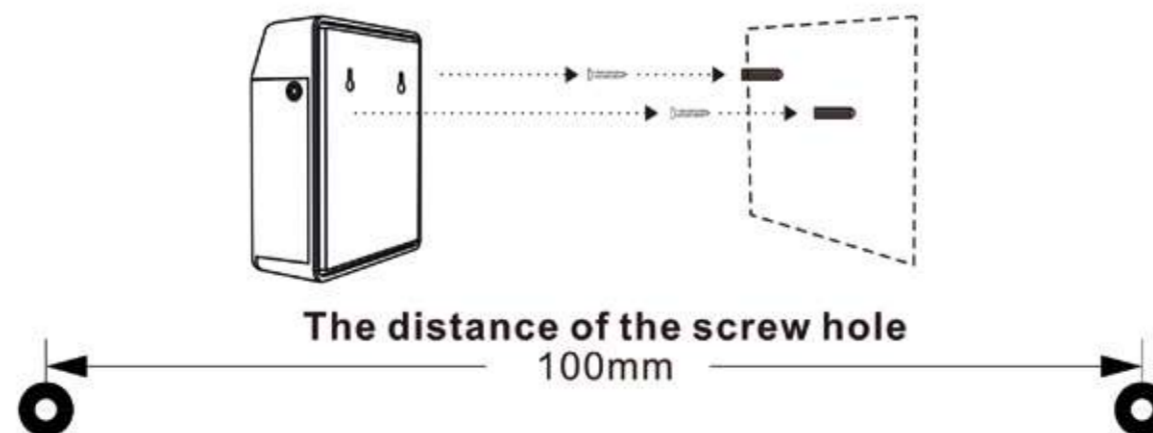
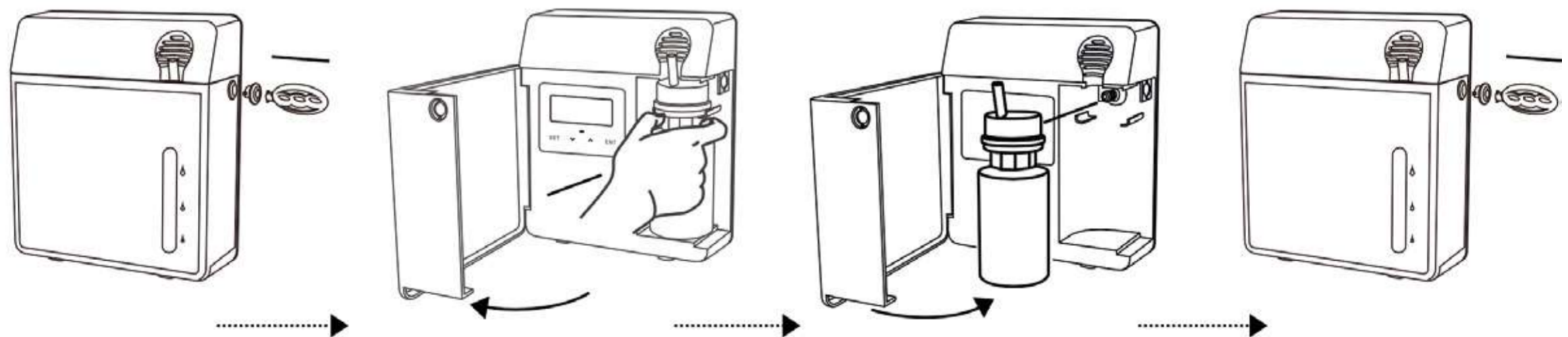
Mounting bracket



Installation

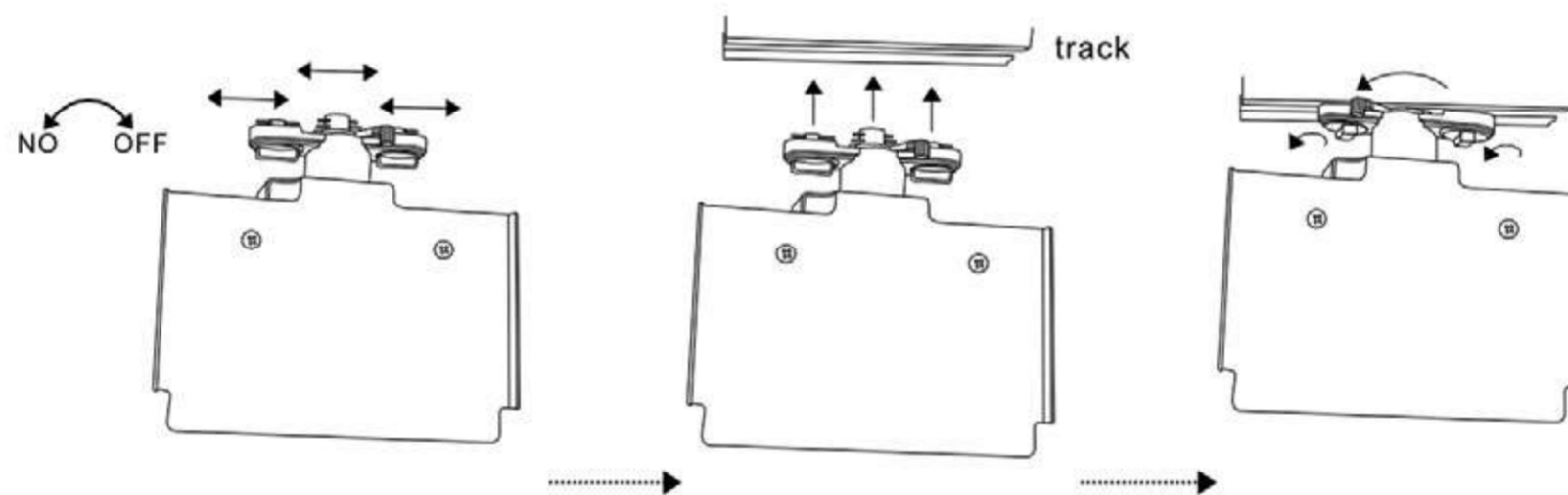
Installation steps:

- 1) Insert the key, twirl to “unlock” and then pull the key and the lock out.
- 2) Open the cover and pull out the bottle along with the atomized head (note: take the bottle neck for easily pulling out).
- 3) After changing the bottle or fragrance, insert them (bottle and the atomized head) directly to the machine).
- 4) Close the cover, insert the key to the mating parts, then insert them to the keyhole, twirl to “lock” for locking.

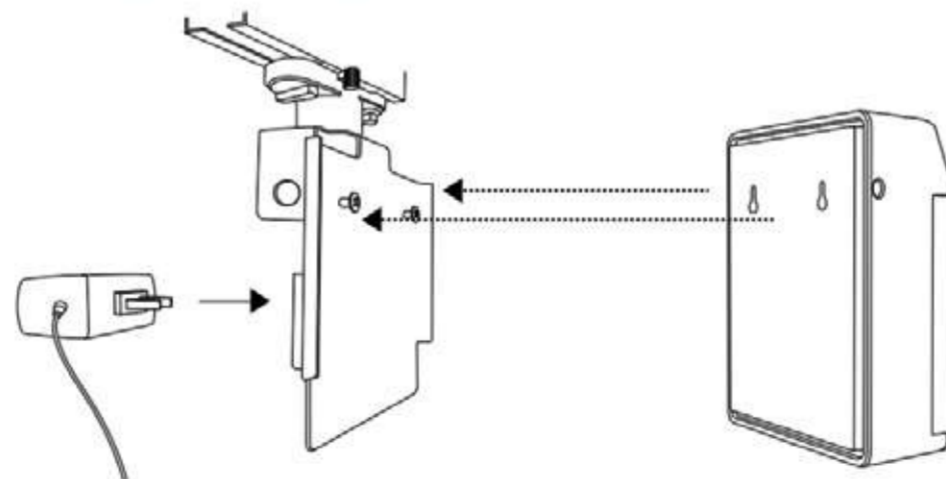


Track Connector: Purchase on Selection

- 1) There are 3 Swivel Couplers on the top of the connector. Please switch the left and right ones to “off” and switch the middle one to the right.
- 2) Align and insert.
- 3) Switch the left and right swivel couplers to “on”, switch the middle one to the left.
- 4) Hang the machine accordingly, plug in.

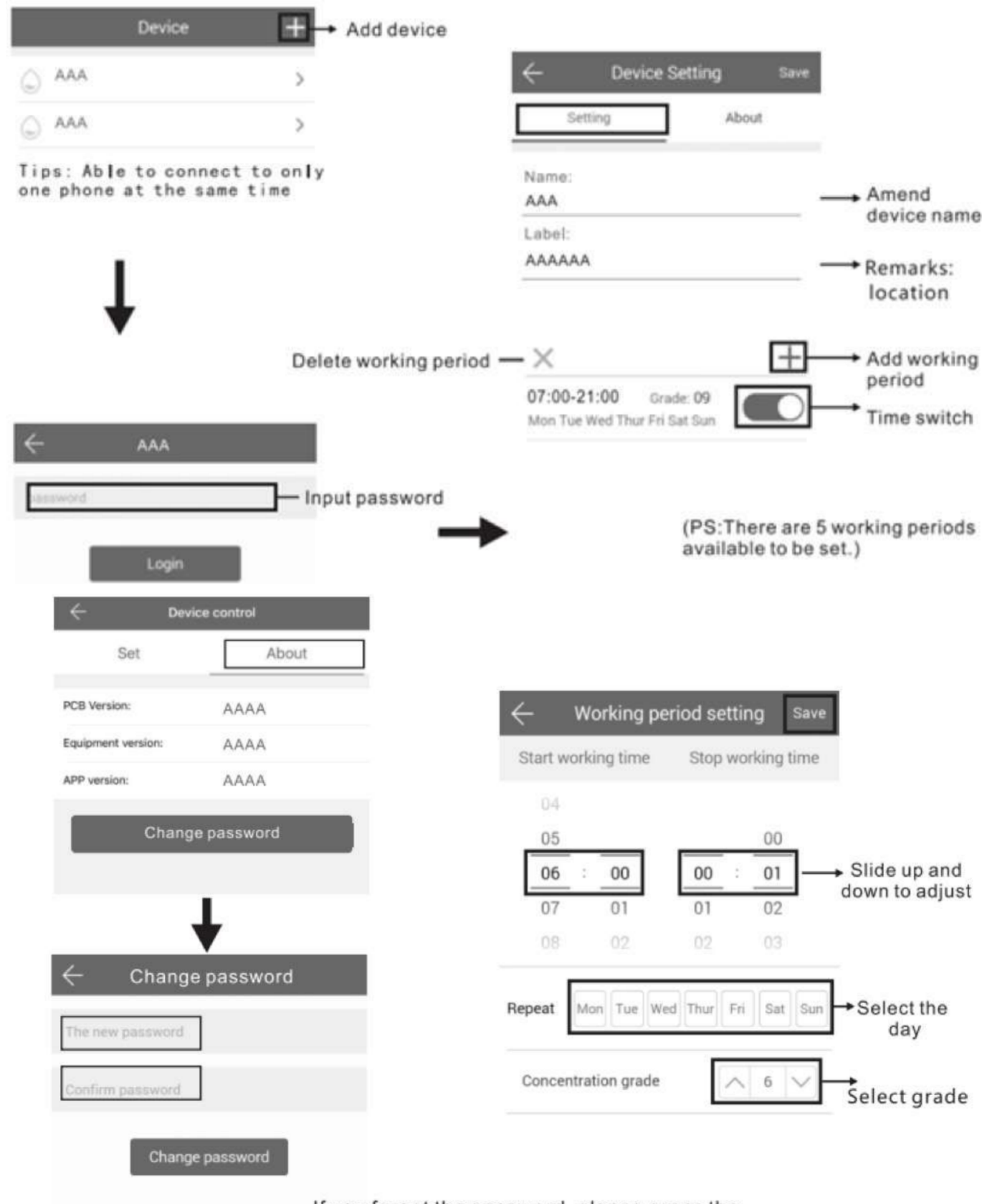


1. There are 3 Swivel Couplers on the top of the connector. Please switch the left and the right ones to “off” and switch the middle one to the right.
2. Align and insert.
3. Switch the left and right swivel couplers to “ON”, switch the middle one to the left.



4. Hang the machine accordingly, plug in.

Let's get you started
by downloading the app



If you forget the password, please press the reset button to restore the factory settings. The factory settings password is 8888.

Boost your experience with our set-up tips

- The increase in the grade is likely to result in higher consumption.
- Our recommendation is to start by grade 8 then increase or decrease based on your preference.
- Less hours of operation results in extending the life of the bottle.
- We recommend to operate the aroma device for half an hour before the activity/the event begins

Caution



Shall not modify, disassemble or repair the machine arbitrarily. vv



Shall not damage the power cord, force to bend, yank, heavy load, clip or reprocess.



- o Shall not use the AC plug when it is damaged or un-matched with the socket.
- o Shall not wet the machine or the AC plug.
- o Shall not use overloaded power socket, wire or broken plug.



Shall not touch the wire or product shell when thundering or/and lightening.



Shall not disassemble the machine when it is under operation.

For any inquiry, please contact our live installation assistant



Warning:

- After installation, please keep the machine vertical, tilting the machine flat will cause oil leakage and damage to the machine.
- Do not refit, disassemble or repair the machine if you are not a technician. If the machine breaks down, please contact our customer care for help customercare@aromatrick.co.uk
- It is invalid to touch/tap the digital timer button when machine is under lock status.
- Each time cycle should be between (00:01 until 23:59), if you need your device to operate throughout the night time, make sure you divide the operation time to **two cycles**.



do not tilt/turn/move
when bottle is in device

TROUBLESHOOTING

Before asking to have the machine repaired, please try to diagnose the problem first following the instructions below:

Symptom	Remedy
Does not diffuse	<ul style="list-style-type: none"> • Check the power is on or off • if the machine is in “not working period”, it stops diffuse. • the pump is damages, change a new one.
Spray little	<ul style="list-style-type: none"> • Atomized nozzle may be blocked, diffuse with alcohol to do cleaning. • pump is aging, change a new one.
Spray liquid	<ul style="list-style-type: none"> • Atomized nozzle is damaged, change a new one. • machine is tilted or lay flat, please make it stand on end.
Oil spill	<ul style="list-style-type: none"> • bottle is loose, screw it to the right place.
Abnormal sound	<ul style="list-style-type: none"> • Pump is loose, install it correctly.

- If the machine programs crashes or other abnormal condition occurs, please restart the machine to restore factory setting (method: press ENT key about 5 minutes until you hear “beep” sound)

CLEANING DIFFUSER

Diffuser should be cleaned regularly, timing recommendation below:

1. Refilling/ changing fragrance in reservoir.
2. Scenting strength becomes weak.

- Turn off Scenting Diffuser before cleaning.
- Place clean bottle with small quantity of “Methylated Spirits”/ Industrial alcohol.
- Turn on Machine and let diffuse for 5 minutes.
- Turn off power and unscrew cleaning fluid bottle.
- Replace with fresh fragrance, machine is now ready for diffusing.

Roma trick