

Roma
trick

A-Trick 30 *To move*
User Guide

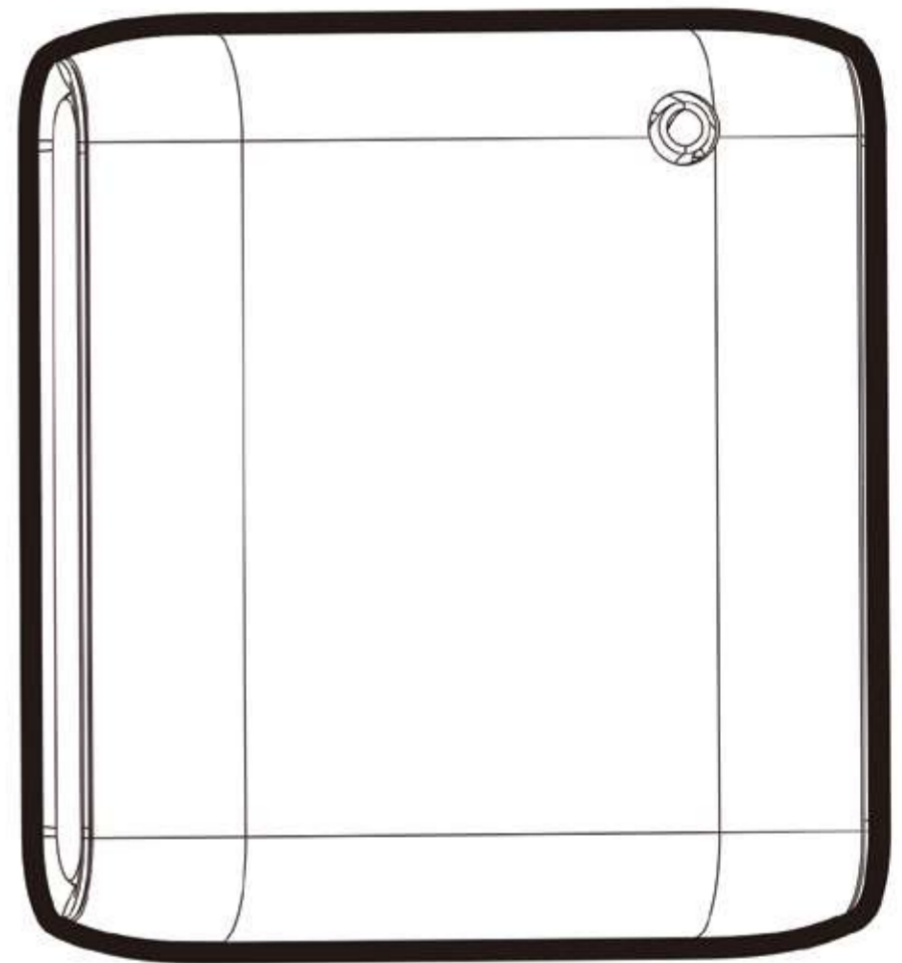


Manifest Brand Development Ltd

Company Reg. Number 13498335, VAT Number GB424451222, customercare@aromatrick.co.uk

Product Specifications

Model	A-Trick 30 to move
Dimension	175*152*62.8 mm
Machine N.W.	583 g
Power	Battery (1.5-0.9 V) - USB 5V
Bottle Capacity	100 ml
Coverage	up to 50 m ² /500 ft ²



Essentials part of your product

Make sure nothing is missing from the items below:



bottle



key



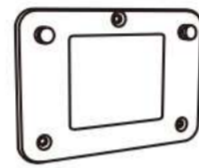
screws



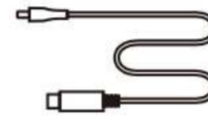
manual



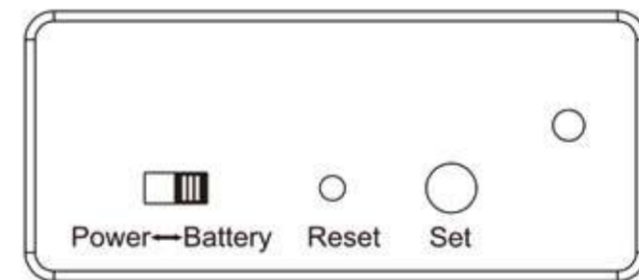
3M tape



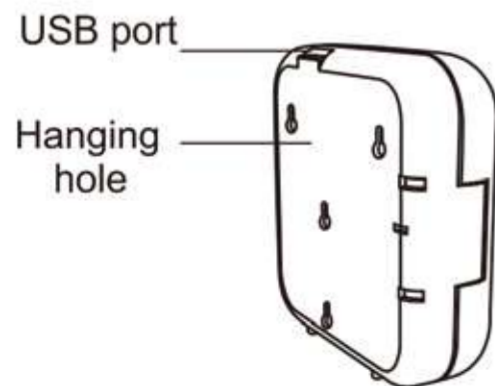
mounting
bracket



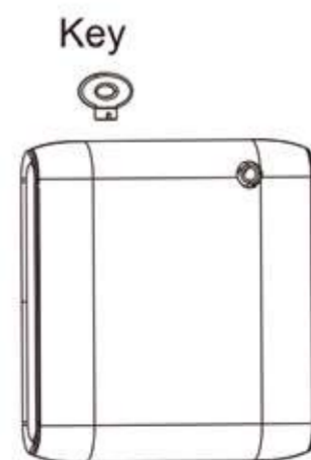
USB cable
(purchase on selection)



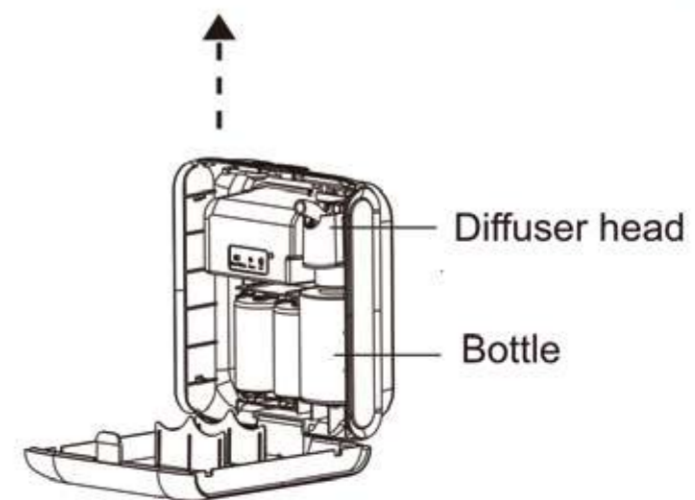
Power mode Battery mode Reset button Level detector
reset button



USB port
Hanging
hole

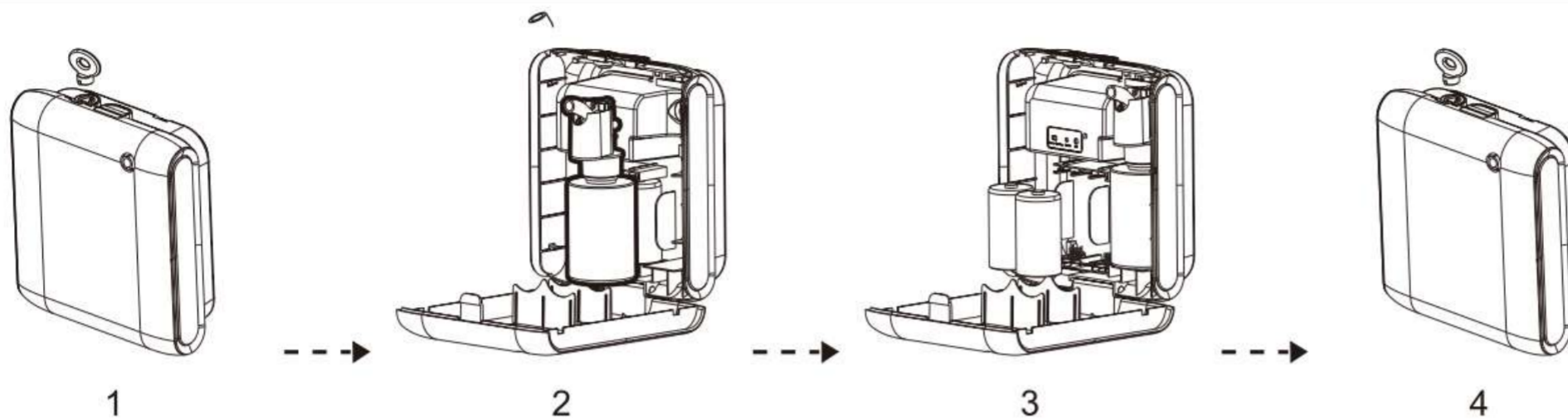


Key
Bluetooth
indicator



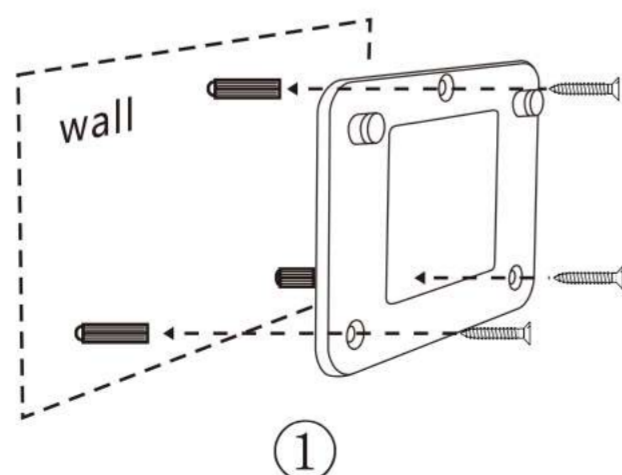
Diffuser head
Bottle

Installation

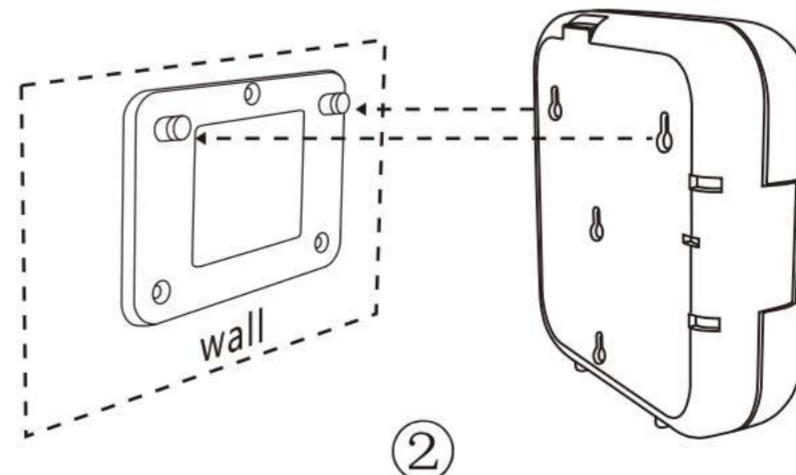


1. Insert the Key and the mating part, twirl to “open” and then pull them out. Press the fixed button on the top and push forward.
2. Tightly connect the atomizer head and the fragrance bottle, and install them to the machine.
3. Choose “power mode” or “Battery mode”, plug in or insert the battery.
(please wait about 12 minutes to let machine charged on the first time connect with power).
4. Insert the key to the mating parts, then insert them to the keyhole, twirl to “Close” for locking.

Warning: if you use 3M instead of screw to the wall, please press 3M on the wall for 1 minute and then hang machine on.



① 1. Fix the 3 screws to the wall

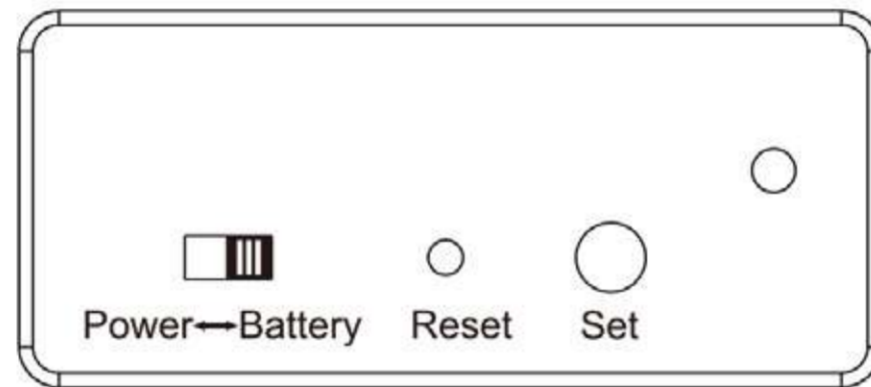
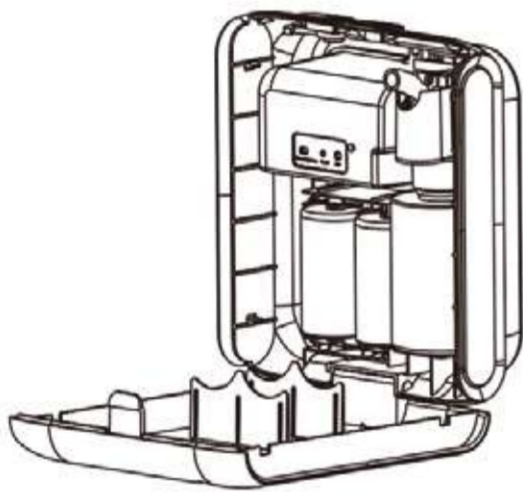


② 2. Hang the machine on the fixing screw

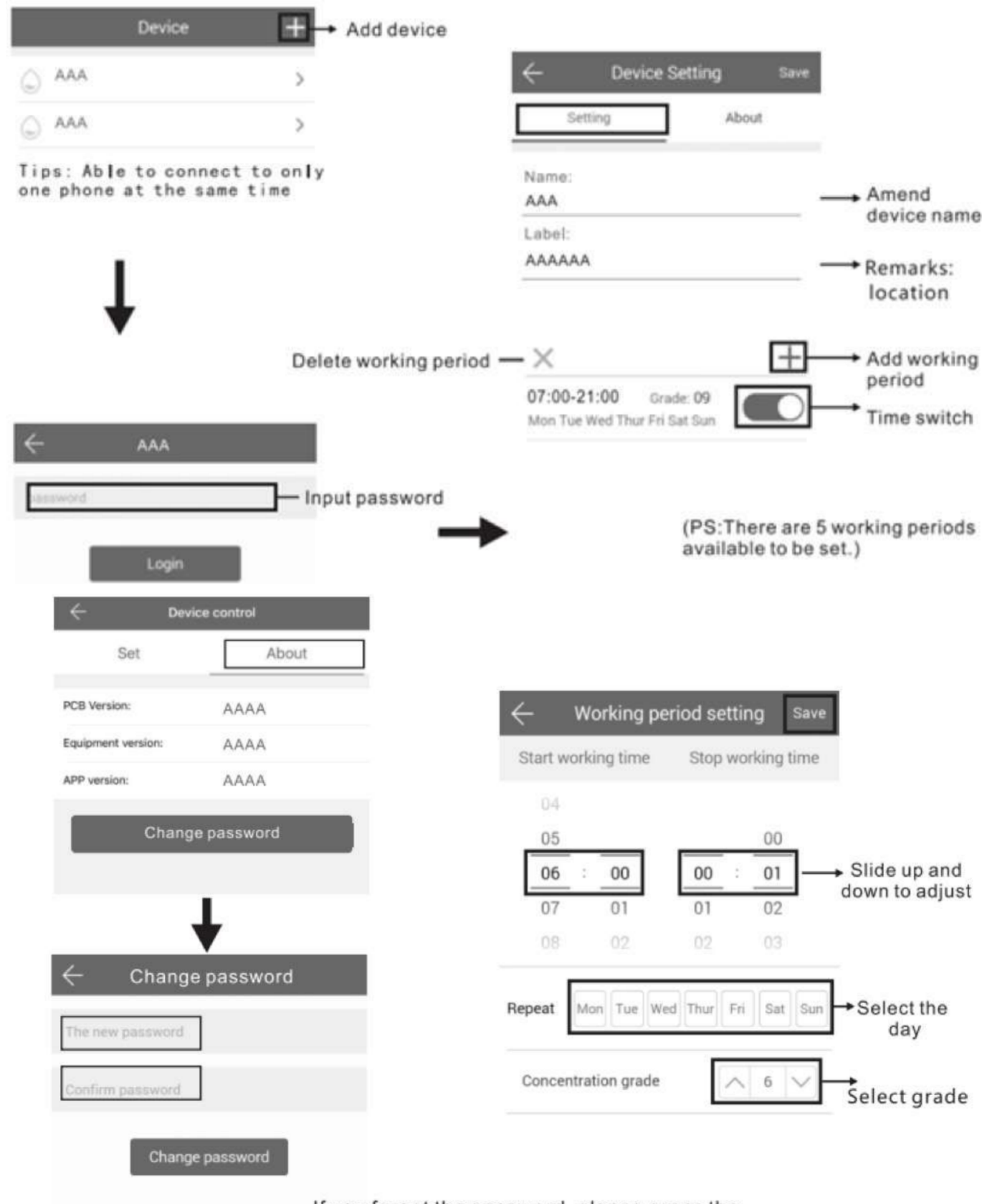
Reminding

Bluetooth indicator:

- catch the signal – Flash
- Connected – light on
- Disconnected – Light off



Let's get you started
by downloading the app



If you forget the password, please press the reset button to restore the factory settings. The factory settings password is 8888.

Boost your experience with our set-up tips

- The increase in the grade is likely to result in higher consumption.
- Our recommendation is to start by grade 8 then increase or decrease based on your preference.
- Less hours of operation results in extending the life of the bottle.
- We recommend to operate the aroma device for half an hour before the activity/the event begins

Caution



Shall not modify, disassemble or repair the machine arbitrarily. vv



Shall not damage the power cord, force to bend, yank, heavy load, clip or reprocess.



- o Shall not use the AC plug when it is damaged or un-matched with the socket.
- o Shall not wet the machine or the AC plug.
- o Shall not use overloaded power socket, wire or broken plug.



Shall not touch the wire or product shell when thundering or/and lightening.



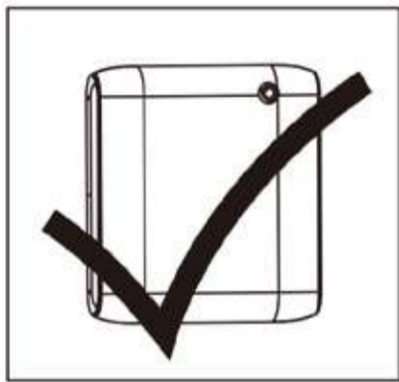
Shall not disassemble the machine when it is under operation.

For any inquiry, please contact our live installation assistant



Warning:

- After installation, please keep the machine vertical, tilting the machine flat will cause oil leakage and damage to the machine.
- Do not refit, disassemble or repair the machine if you are not a technician. If the machine breaks down, please contact our customer care for help customercare@aromatrick.co.uk
- It is invalid to touch/tap the digital timer button when machine is under lock status.
- Each time cycle should be between (00:01 until 23:59), if you need your device to operate throughout the night time, make sure you divide the operation time to **two cycles**.



do not tilt/turn/move
when bottle is in device



TROUBLESHOOTING

Before asking to have the machine repaired, please try to diagnose the problem first following the instructions below:

Symptom	Remedy
Does not diffuse	<ul style="list-style-type: none"> • Check the power is on or off • if the machine is in “not working period”, it stops diffuse. • the pump is damages, change a new one.
Spray little	<ul style="list-style-type: none"> • Atomized nozzle may be blocked, diffuse with alcohol to do cleaning. • pump is aging, change a new one.
Spray liquid	<ul style="list-style-type: none"> • Atomized nozzle is damaged, change a new one. • machine is tilted or lay flat, please make it stand on end.
Oil spill	<ul style="list-style-type: none"> • bottle is loose, screw it to the right place.
Abnormal sound	<ul style="list-style-type: none"> • Pump is loose, install it correctly.

- If the machine programs crashes or other abnormal condition occurs, please restart the machine to restore factory setting (method: press ENT key about 5 minutes until you hear “beep” sound)

CLEANING DIFFUSER

Diffuser should be cleaned regularly, timing recommendation below:

1. Refilling/ changing fragrance in reservoir.
2. Scenting strength becomes weak.

- Turn off Scenting Diffuser before cleaning.
- Place clean bottle with small quantity of “Methylated Spirits”/ Industrial alcohol.
- Turn on Machine and let diffuse for 5 minutes.
- Turn off power and unscrew cleaning fluid bottle.
- Replace with fresh fragrance, machine is now ready for diffusing.

Roma trick